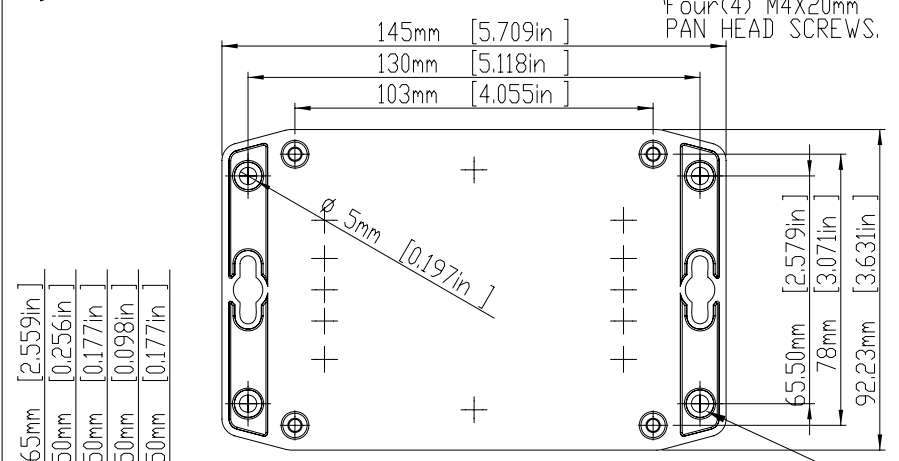
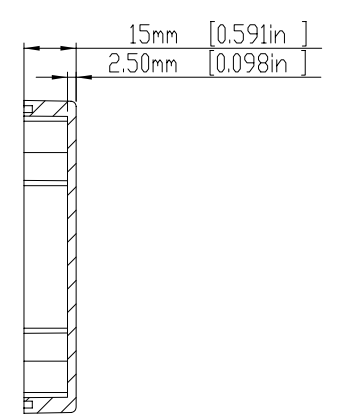
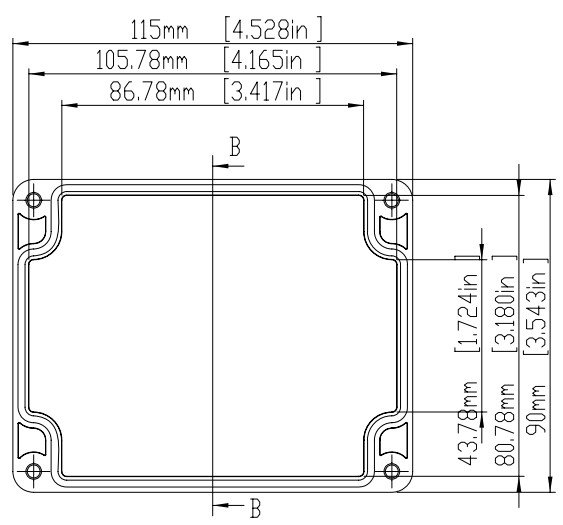
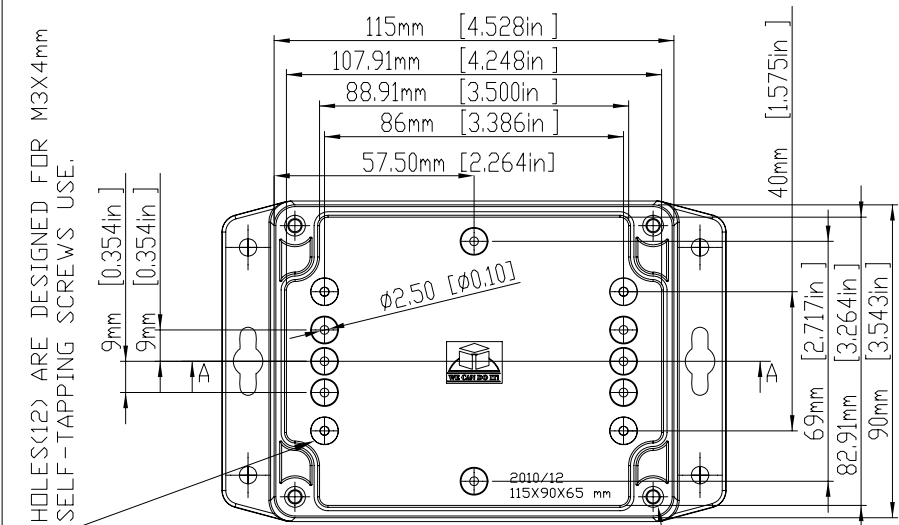
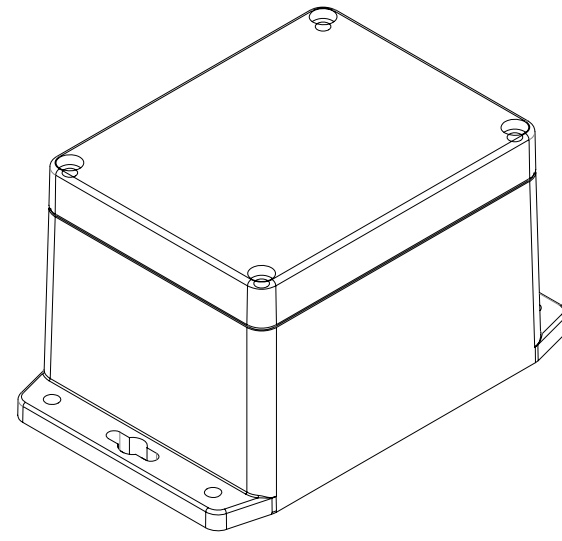
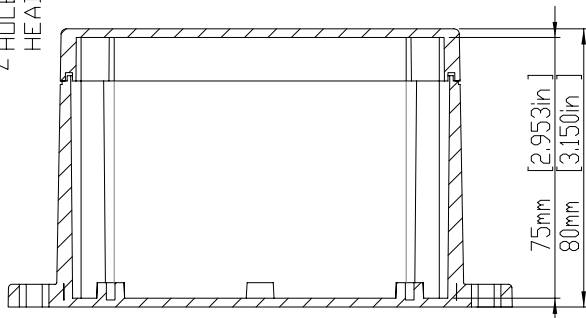
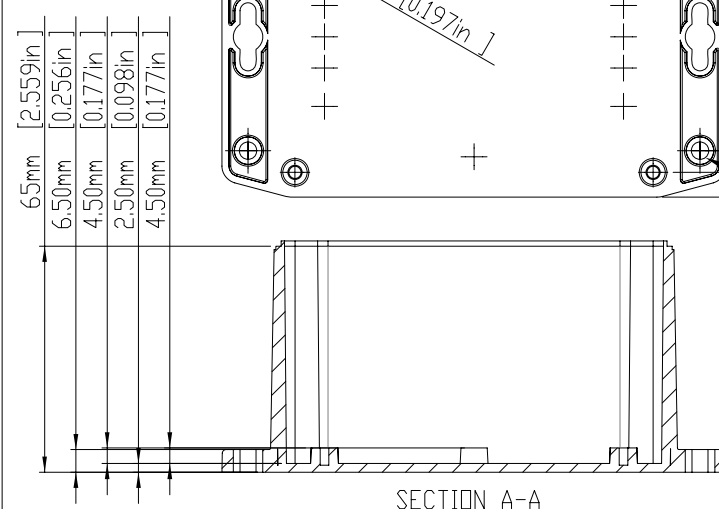
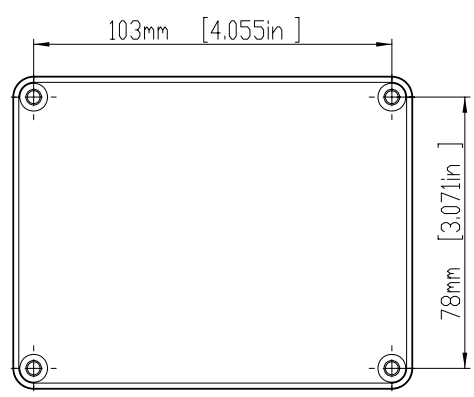


HOLES(12) ARE DESIGNED FOR M3X4mm SELF-TAPPING SCREWS USE.



HOLES(4) ARE DESIGNED FOR M4 PAN HEAD MACHINE SCREWS USE.



TOLERANCES: +/- 0.30 mm (+/- 0.012in)

宜又實業有限公司 GAINTA INDUSTRIES LTD.	繪圖	DRA'D BY	日期	DATE	材質	MATE.	圖名TITLE:	圖號DWG NO:	版次REVISID:
		JACKY	2010/11/8		PC ; ABS		G221MF ; G331MF		A

STOCK NO.	MATERIAL	BASE-COLOR	COVER-COLOR
G221MF	POLYCARBONATE UL94-HB	LIGHT GRAY(RAL7035)	LIGHT GRAY(RAL7035)
G221CMF	POLYCARBONATE UL94-HB	LIGHT GRAY(RAL7035)	CLEAR
G331MF	ABS UL94-HB	DARK GRAY(RAL7000)	DARK GRAY(RAL7000)