



14FF Sockets

RELAY SOCKETS





Features

- The dielectric strength can reach 5000VAC(I/O) and the insulation resistance is 1000MΩ
- Three mounting types are available: PCB, screw mounting and DIN rail mounting.
- With finger protection device
- Many kinds of plug-in modules are available with the function of energizing indication and wiring protection
- Applicable relay types: HF115F/115F-A/115FP, HF14FF/14FW/140FF/141FF
- Environmental friendly product (RoHS compliant)

ORDERING INFORMATION


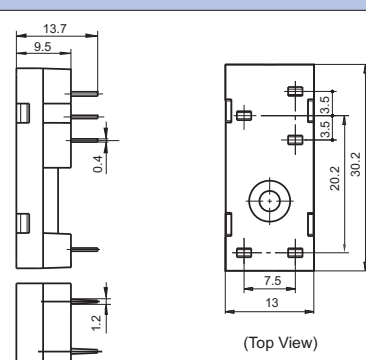
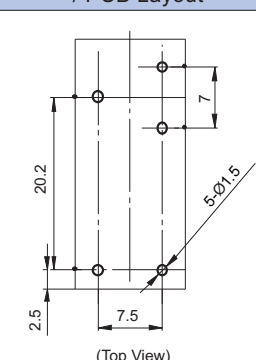
	14FF	-1Z	-C2
Type	14FF: Realy's applicable type, See table below 140FF: Applicable HF14FW/140FF Realy		
Contact arrangement	1Z: 1 Form C 2Z: 2 Form C		
Termination&mounting	A1: PCB terminal, PCB or Screw mounting C2, C3: Screw terminal, DIN rail or Screw mounting, With finger protection device C4: Screwless terminal, DIN rail mounting, With finger protection device		

CHARACTERISTICS

Type	Nominal Voltage	Nominal Current	Ambient Temperature	Dielectric Strength min.	Max wire size		Wire Strip Length	Screw Torque
					mm ²	AWG		
14FF-1Z-A1	250VAC	10A	-40 °C to 70°C	5000VAC	---	---	---	---
14FF-1Z-C2	250VAC	10A	-40 °C to 70°C	5000VAC	1 x 4 / 2 x 2.5	1 x 12 / 2 x 14	7mm	0.6N · m
14FF-1Z-C3	250VAC	10A	-40 °C to 70°C	5000VAC	1 x 4 / 2 x 2.5	1 x 12 / 2 x 14	7mm	0.6N · m
14FF-2Z-A1	250VAC	10A	-40 °C to 70°C	5000VAC	---	---	---	---
14FF-2Z-C2	250VAC	10A	-40 °C to 70°C	5000VAC	1 x 4 / 2 x 2.5	1 x 12 / 2 x 14	7mm	0.6N · m
14FF-2Z-C3	250VAC	10A	-40 °C to 70°C	5000VAC	1 x 4 / 2 x 2.5	1 x 12 / 2 x 14	7mm	0.6N · m
14FF-2Z-C4	250VAC	10A	-40 °C to 70°C	5000VAC	1 x 4 / 2 x 2.5	1 x 12 / 2 x 14	7mm	0.6N · m
140FF-2Z-C3	250VAC	10A	-40 °C to 70°C	5000VAC	1 x 4 / 2 x 2.5	1 x 12 / 2 x 14	7mm	0.6N · m


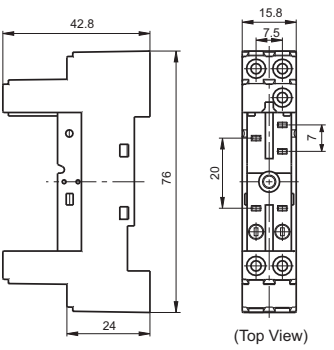
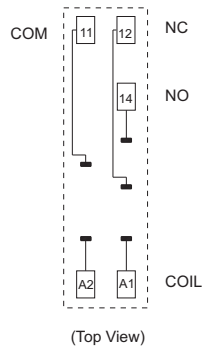

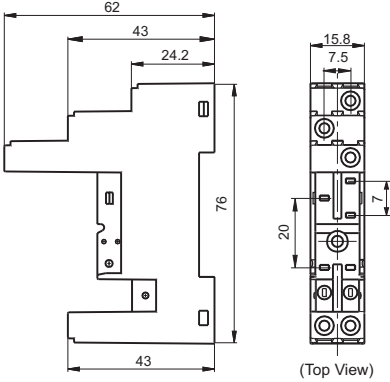
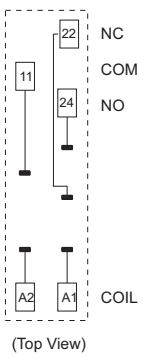

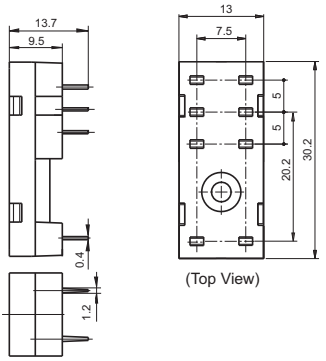
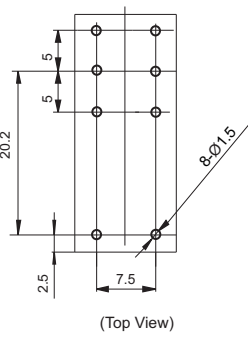

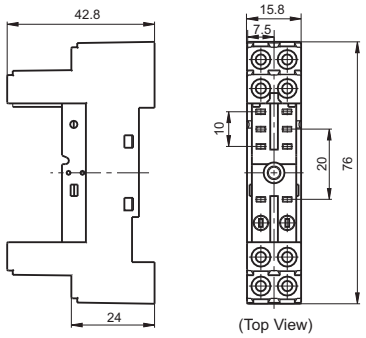
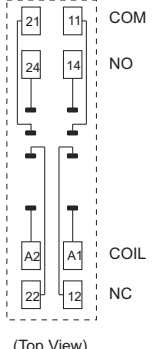
OUTLINE DIMENSIONS, WIRING DIAGRAM AND PC BOARD LAYOUT

Unit: mm

Socket	Outline Dimensions	Wiring Diagram / PCB Layout	Accessory Available
<p>14FF-1Z-A1</p>  <p>PCB terminal, PCB or Screw mounting Applicable for HF14FF/141FF, HF115F/115F-A 1 type</p>	 <p>(Top View)</p>	 <p>(Top View)</p>	<p>*metallic retainer 14FF-H1 14FF-H2</p>


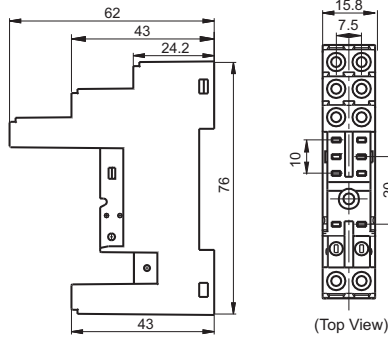
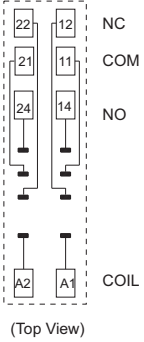

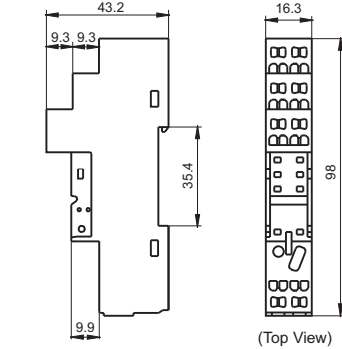
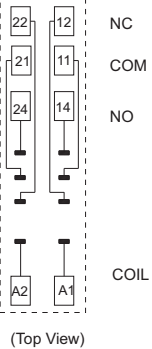

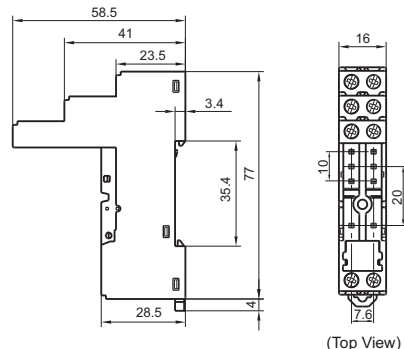
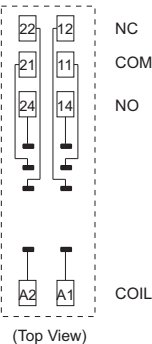
OUTLINE DIMENSIONS, WIRING DIAGRAM AND PC BOARD LAYOUT

Unit: mm

Socket	Outline Dimensions	Wiring Diagram / PCB Layout	Accessory Available
<p>14FF-1Z-C2</p>  <p>Screw terminal, PCB or Screw mounting With finger protection device Applicable for HF14FF/141FF, HF115F/115F-A 1 type</p>	 <p>(Top View)</p>	 <p>(Top View)</p>	<p>*plastic retainer 14FF-H4 14FF-H5 14FF-H6</p> <p>*jumper 14FF-J1</p> <p>*plug-in module HFAA to HFHU marker 14FF-M1</p>
<p>14FF-1Z-C3</p>  <p>Screw Terminal, DIN rail or Screw mounting, With finger protection device Applicable for HF14FF/141FF, HF115F/115F-A 1 type</p>	 <p>(Top View)</p>	 <p>(Top View)</p>	<p>*plastic retainer 14FF-H4 14FF-H5 14FF-H6</p> <p>*jumper 14FF-J1</p> <p>*plug-in module HFAA to HFHU marker 14FF-M1</p>
<p>14FF-2Z-A1</p>  <p>PCB terminal, PCB or Screw mounting Applicable for HF14FW/140FF, HF115F/115F-A/115FP 3 type & 4 type</p>	 <p>(Top View)</p>	 <p>(Top View)</p>	<p>*metallic retainer 14FF-H1 14FF-H3</p>
<p>14FF-2Z-C2</p>  <p>Screw Terminal, DIN rail or Screw mounting, With finger protection device Applicable for HF14FW/140FF, HF115F/115F-A/115FP 3 type & 4 type When applying to 3 type, 2NC, 2NO and 2COM should be paralled seperately.</p>	 <p>(Top View)</p>	 <p>(Top View)</p>	<p>*plastic retainer 14FF-H4 14FF-H6</p> <p>*jumper 14FF-J1</p> <p>*plug-in module HFAA to HFHU marker 14FF-M1</p>

OUTLINE DIMENSIONS, WIRING DIAGRAM AND PC BOARD LAYOUT

Unit: mm

Socket	Outline Dimensions	Wiring Diagram / PCB Layout	Accessory Available
 <p>Screw Terminal, DIN rail or Screw mounting, With finger protection device Applicable for HF14FW/140FF, HF115F/115F-A/115FP 3 type & 4 type When applying to 3 type, 2NC, 2NO and 2COM should be paralled seperately.</p>	 <p>(Top View)</p>	 <p>(Top View)</p>	<p>*plastic retainer 14FF-H4 14FF-H6</p> <p>*jumper 14FF-J1</p> <p>*plug-in module HFAA to HFHU</p> <p>marker 14FF-M1</p>
 <p>Spring-loaded terminal DIN rail mounting With finger protection device Applicable for HF14FW/140FF, HF115F/115F-A/115FP 3 type & 4 type When applying to 3 type, 2NC, 2NO and 2COM should be paralled seperately.</p>	 <p>(Top View)</p>	 <p>(Top View)</p>	<p>*plastic retainer 14FF-H4 14FF-H6</p> <p>*plug-in module HFAA to HFHU</p> <p>marker 14FF-M1</p>
 <p>Screw terminal DIN rail or Screw mounting With finger protection device Applicable for HF14FW/140FF</p>	 <p>(Top View)</p>	 <p>(Top View)</p>	<p>*plastic retainer 140F-H1</p> <p>*jumper 140FF-J1</p> <p>marker 140FF-M1</p>

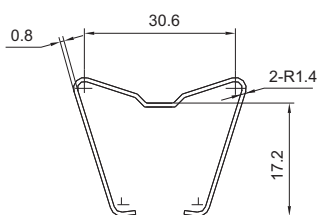
Notes: * If need accesscry,please order with type.

DIMENSION OF RELATED ACCESSORY (TO BE ORDERED SEPARATELY)

Unit: mm

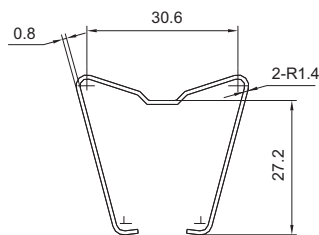
Retainer

14FF-H1(metallic retainer)



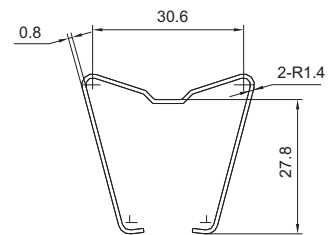
Remark: Applicable for HF115F/115F-A.

14FF-H2(metallic retainer)



Remark: Applicable for HF14FF.

14FF-H3(metallic retainer)



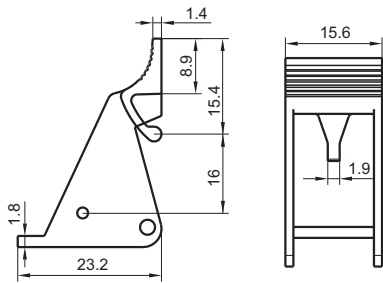
Remark: Applicable for HF115FP, HF14FW, HF140FF.

DIMENSION OF RELATED ACCESSORY (TO BE ORDERED SEPARATELY)

Unit: mm

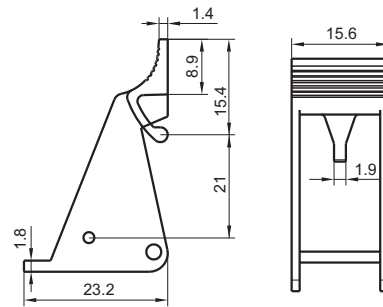
Retainer

14FF-H4(Plastic retainer)



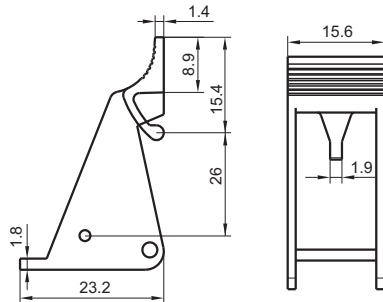
Remark: Applicable for HF115F/HF115F-A.

14FF-H5(Plastic retainer)



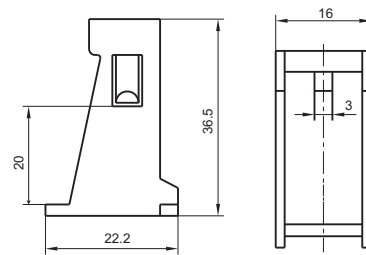
Remark: Applicable for HF141FF.

14FF-H6(Plastic retainer)



Remark: Applicable for HF115FP, HF14FF, HF14FW, HF140FF.

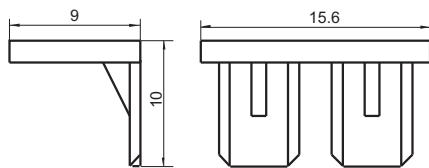
140F-H1(Plastic retainer)



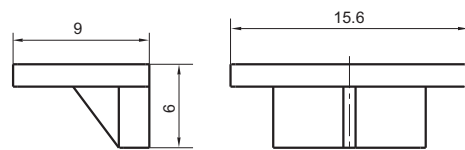
Remark: Applicable for HF14FW, HF140FF.

Marker

14FF-M1

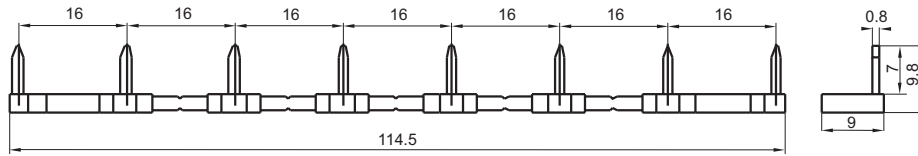


140FF-M1

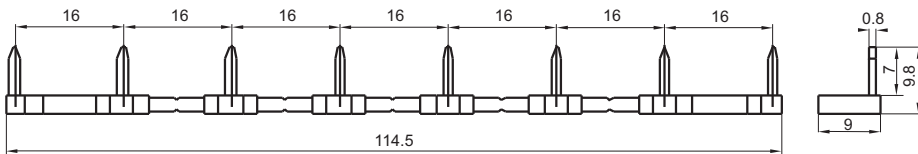


Jumper

14FF-J1



140FF-J1



Things to be noticed when selecting sockets:

1. Please choose suitable relay socket according to the actual mounting environment, relay contact poles and terminal layout. If there is any query on selection, please contact Hongfa for the technical service.
2. Socket which can be mounted with markers is furnished with a marker; If need markers, please order with type.

Disclaimer

This datasheet is for the customers' reference. All the specifications are subject to change without notice.

We could not evaluate all the performance and all the parameters for every possible application. Thus the user should be in a right position to choose the suitable product for their own application. If there is any query, please contact Hongfa for the technical service. However, it is the user's responsibility to determine which product should be used only.

© Xiamen Hongfa Electroacoustic Co., Ltd. All rights of Hongfa are reserved.